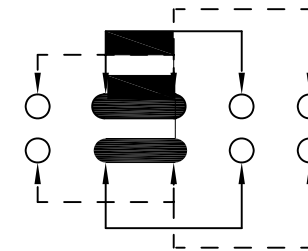
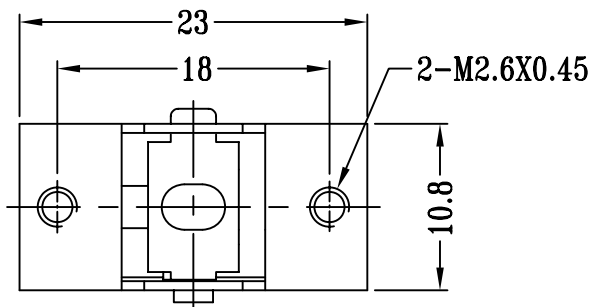
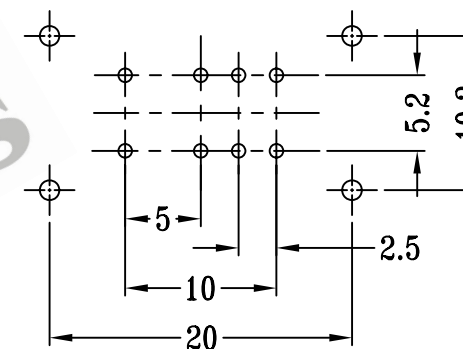
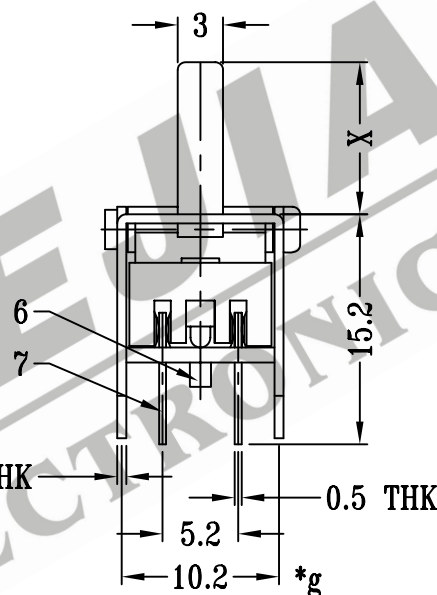
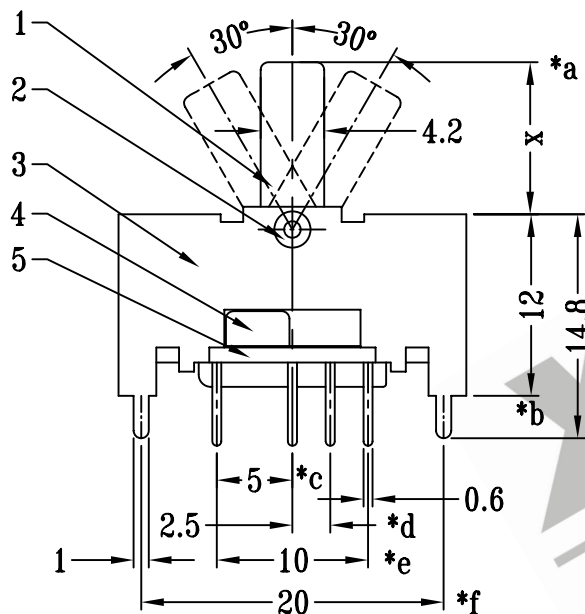


CAD FILE:



SCHEMATIC (SHORTING)



P.C.B LAYOUT

11	NOB	PC	1	BLACK
10	CONTACT (CLIP)	PBS	2	Ag CLAD
9	PRESS BAR	POM	1	WHITE
8	SPRING	STEEL WIRE	1	TEMPER
7	TERMINAL	BRASS STRIP	8	Ag PLATED OVER Ni PLATED
6	POSITION PLATE	POM	1	BLACK
5	BASE	PHENOLIC RESIN	1	NATURAL
4	SLIDER	POM	1	BLACK
3	FRAME	STEEL STRIP	1	Zn/Ni PLATED
2	RIVET	COPPER	1	Ni PLATED
1	SLEEVE	ALUMINIUM	1	NATURAL
NO.	PARTS	MATERIALS	Q'TY	FINISH

注:带'\*'表示关键尺寸(7个)

TOLERANCE UNLESS SPECIFIED		SHENZHEN XIEJIA ELECTRONICS CO.,LTD.		
WITHIN: 1.5 ±0.1mm		ISSUE	DATE	DESCRIPTIONS OF REVISION
OVER: 1.5 ±0.2mm		APPD.		
TITLE : TOGGLE SWITCH		UNIT : mm	DRWG NO.: XJ-DR-TS23E01-00	
MODEL: TS-23E01		SCALE: 2:1	DWN.	ZHOUYU 2005-8-5
ALL MATERIALS MUST BE COMPLIANT TO ROHS			CHK'D	FANGYING 2005-8-5
			APPD.	KANGXINAN 2005-8-5